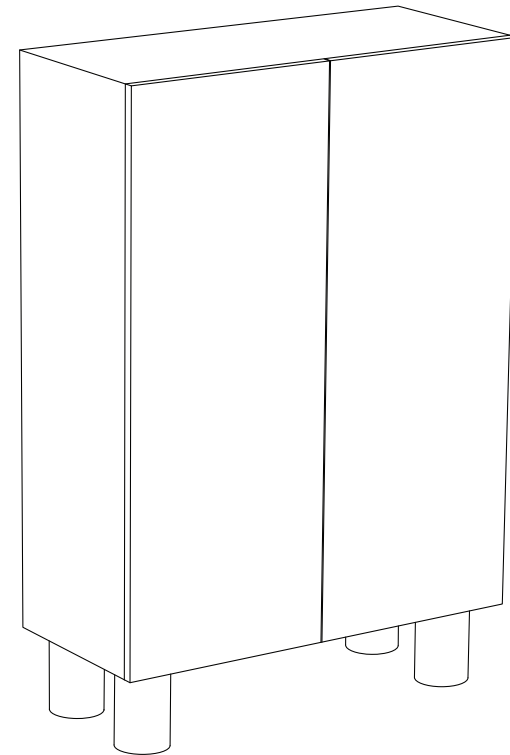


POST STORAGE CABINET

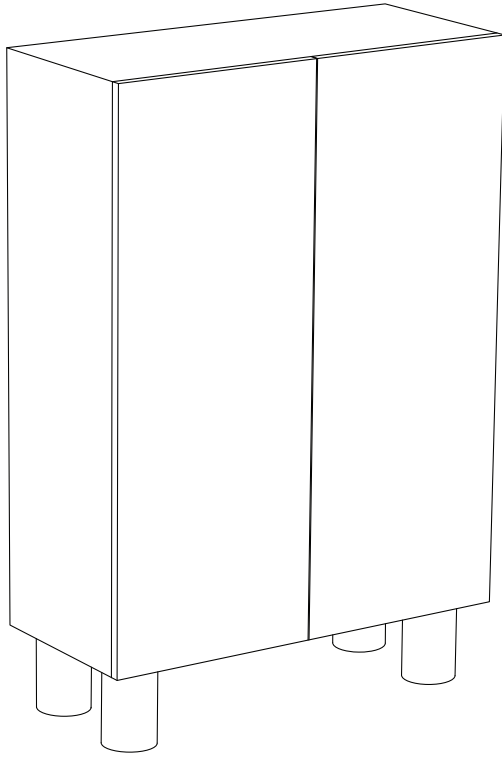
ASSEMBLY MANUAL

fermliving.com



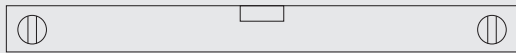
ferm
L I V I N G

BOX CONTENT



x1
Cabinet

NEEDED TOOLS

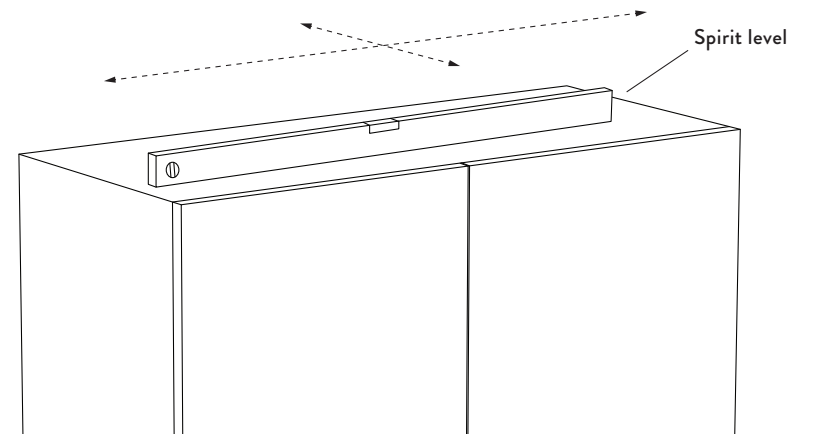


Spirit level



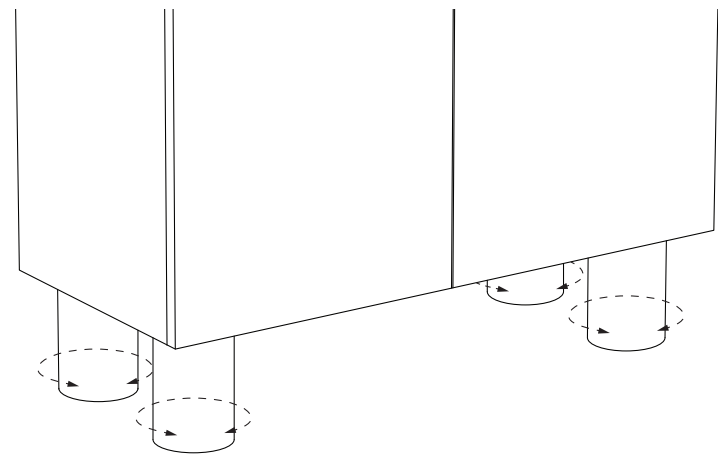
Screwdriver

1

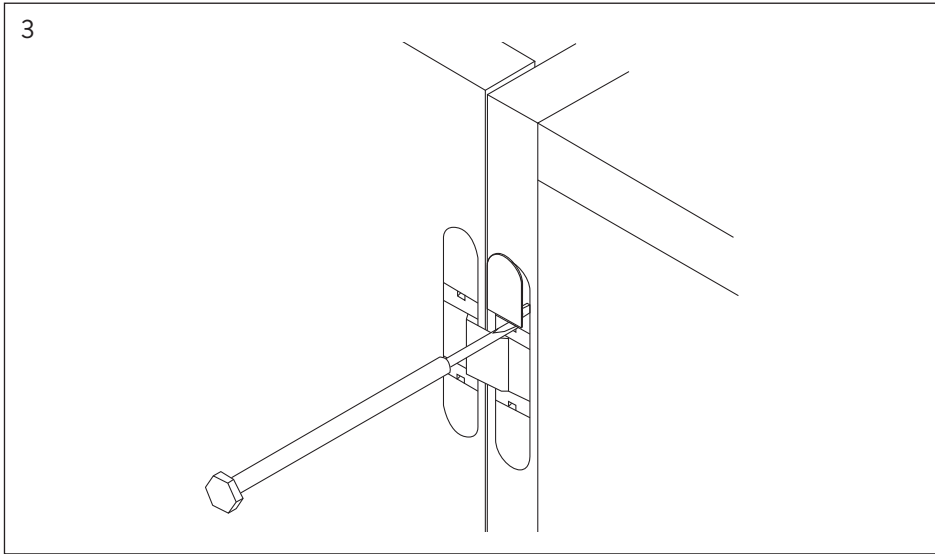


1. Check that the cabinet is level in depth and width.

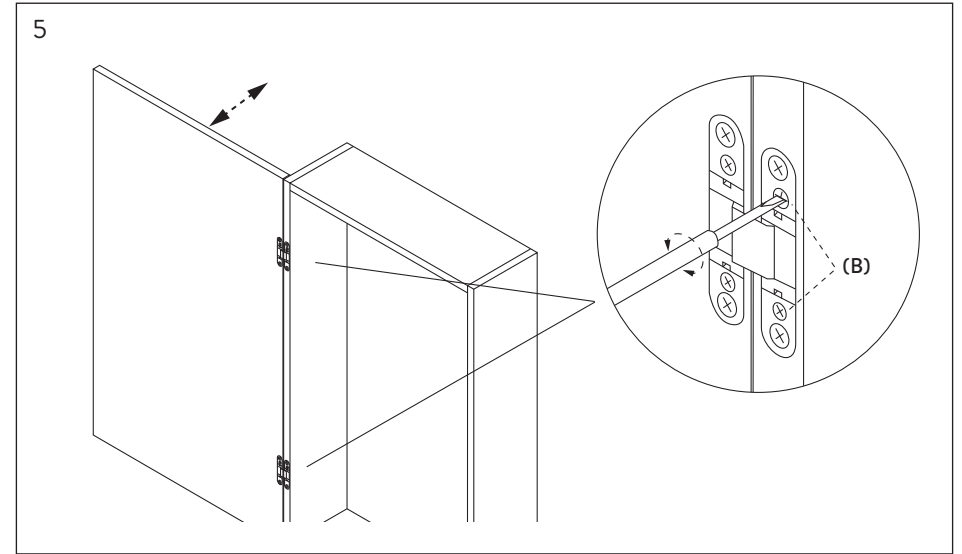
2



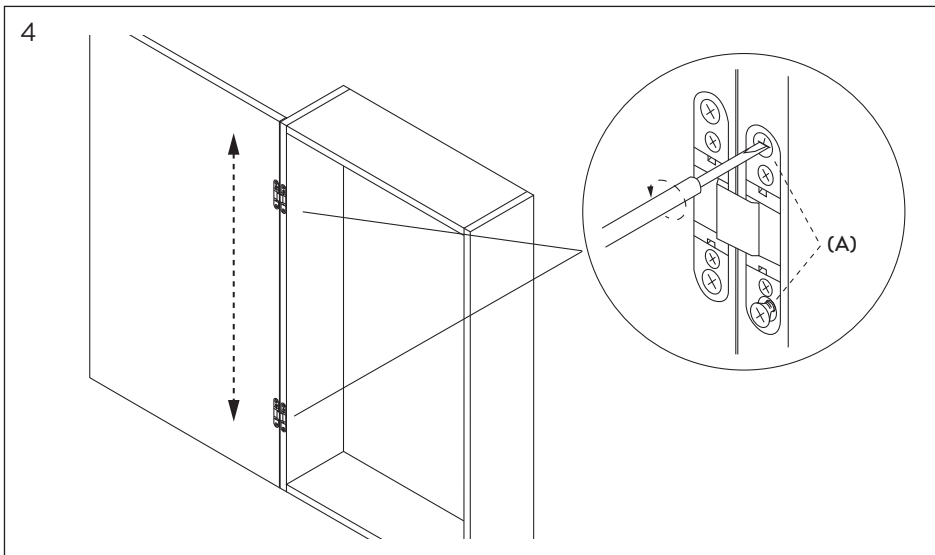
2. Adjust the feet to change the balance so that it is level.



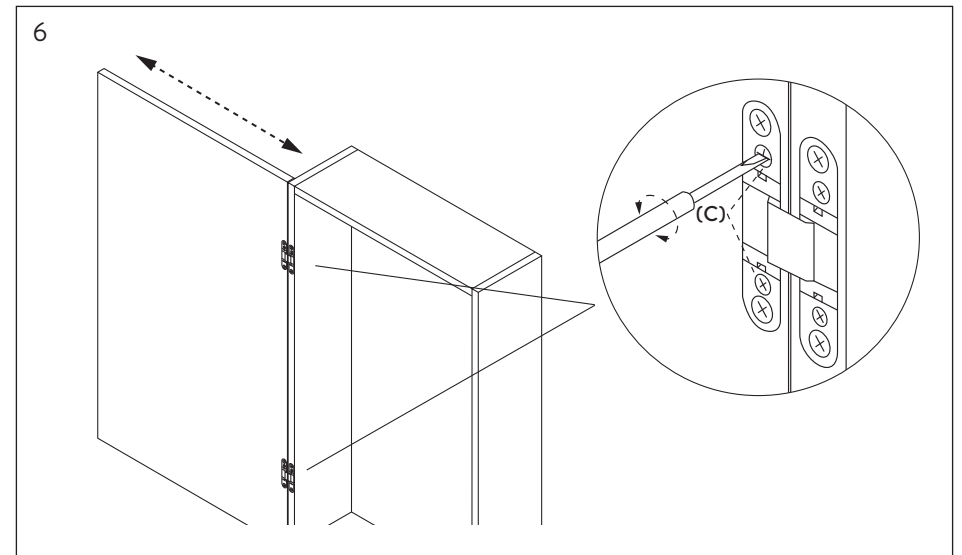
3. Remove the lid from the hinge with a small screwdriver.



5. Adjust the door forwards or backwards on the (B) screws.



4. Adjust the door up or down on the (A) screws.



6. Adjust the door to the left or right of the (C) screws.

